

DURACOMM INSTALLATION INSTRUCTIONS

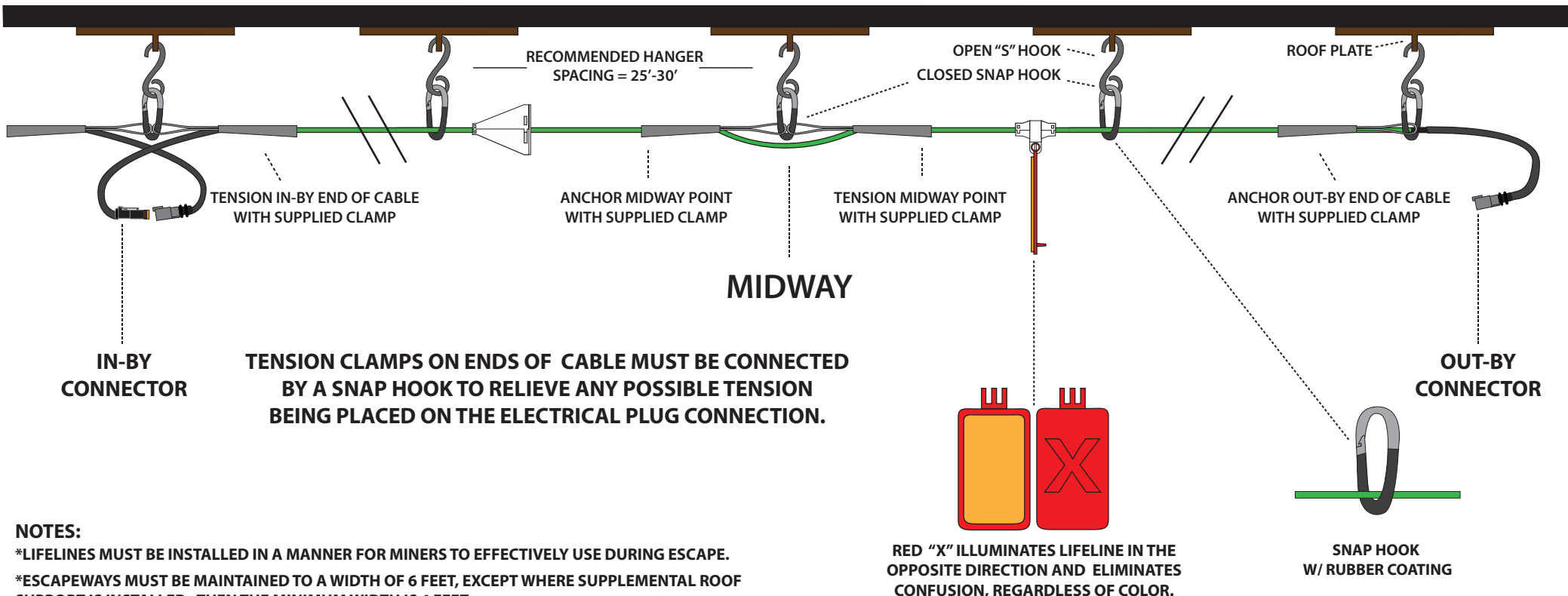


1. INSTALL FIRST HANGER. ANCHOR THE OUT-BY END OF DURACOMM WITH PRE-INSTALLED CLAMP. SEE DIAGRAM.
2. BEGIN UNROLLING DURACOMM, CLIPPING INTO SUPPLIED HANGERS EVERY 25 TO 30 FEET. (EVERY 7TH ROW OF BOLTS).
3. TENSION THE MIDWAY POINT (APPROXIMATELY 500') IN THE IN-BY DIRECTION USING ONE OF THE SUPPLIED CLAMPS. THEN ANCHOR THE MIDWAY POINT IN THE OUT-BY DIRECTION USING A SUPPLIED CLAMP AS SHOWN. SEE DIAGRAM.
4. CONTINUE INSTALLING DURACOMM UNTIL THE IN-BY END IS REACHED.
5. TENSION THE IN-BY END OF THE DURACOMM USING THE PRE-INSTALLED CLAMP. SEE DIAGRAM.
6. CONNECT THE NEXT ROLL USING THE PRE-INSTALLED CLAMP AND PROVIDED SNAP HOOK.
7. PLUG ELECTRICAL CONNECTORS TOGETHER.
8. REPEAT FOR EACH CONSECUTIVE ROLL.

304-855-7080

info@minelifeline.com

*NOTE - INITIAL INSTALLATION: CONNECT OUT-BY CONNECTOR TO EXISTING PHONE LINE USING PART #9107-100407



NOTES:

- *LIFELINES MUST BE INSTALLED IN A MANNER FOR MINERS TO EFFECTIVELY USE DURING ESCAPE.
- *ESCAPEWAYS MUST BE MAINTAINED TO A WIDTH OF 6 FEET, EXCEPT WHERE SUPPLEMENTAL ROOF SUPPORT IS INSTALLED. THEN THE MINIMUM WIDTH IS 4 FEET.
- * TO CONNECT ADDITIONAL PHONES ALONG CABLE, USE PART #DURASPLICE.

TYPICAL DURACOMM INSTALLATION USING STANDARD HANGERS